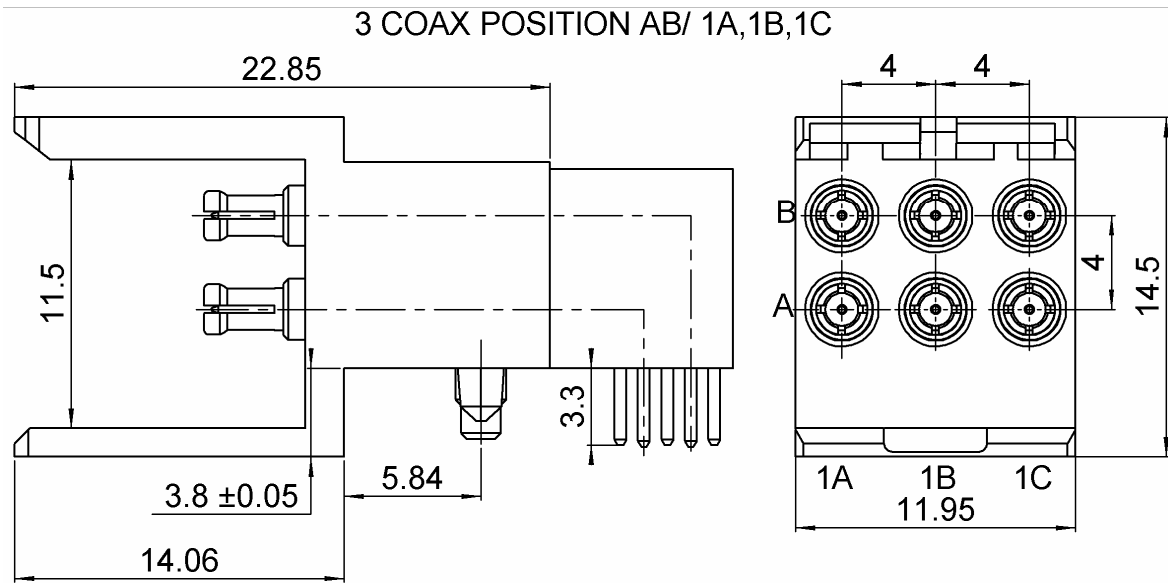


**MALE SHIELDED COAXIPACK 6 COAX**

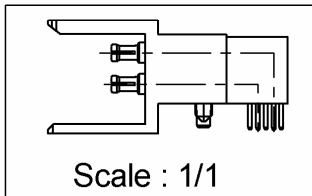
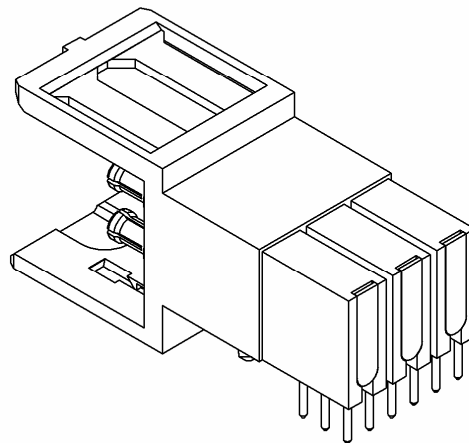
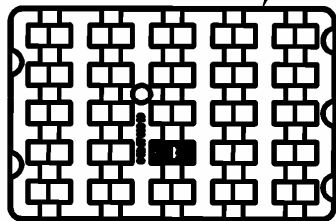
**R694.281.257**

**SOLDER TYPE 3.5**

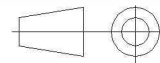
Series : MCC2



Connectors' packaging



All dimensions are in mm.



COMPONENTS	MATERIALS	PLATINGS (µm)
BODY	BRASS	NICKEL 2
CENTER CONTACT	BERYLLIUM COPPER	NPGR
OUTER CONTACT	BRONZE	NPGR
INSULATOR	PEEK , ULTEM	
GASKET		
OTHERS PARTS	POLYM. C. L. 30% FV	NICKEL 0.6 SUR CUIVRE 3
.	.	.
.	.	.

Issue : 0815 B

In the effort to improve our products, we reserve the right to make changes judged to be necessary.



**MALE SHIELDED COAXIPACK 6 COAX**

**R694.281.257**

**SOLDER TYPE 3.5**

Series : MCC2

**PACKAGING**

**SPECIFICATION**

Standard	Unit	Other
25	'W' option	Contact us

**ELECTRICAL CHARACTERISTICS**

**ENVIRONMENTAL**

Impedance		75 Ω
Frequency		0-6 GHz
VSWR	1.20* +	0,0000 x F(GHz) Maxi
Insertion loss		0.2 √F(GHz) dB Maxi
RF leakage	- (	NA - F(GHz)) dB Maxi
Voltage rating		500 Veff Maxi
Dielectric withstanding voltage		750 Veff mini
Insulation resistance		5000 MΩ mini

Operating temperature	-25/+125 ° C
Hermetic seal	NA Atm.cm3/s
Panel leakage	NA

**OTHERS CHARACTERISTICS**

Assembly instruction      **See/Voir Pg 3**

Others :  
 \*ROS optimised 0 at 3GHz  
 Housing Material: UL94V-0

**MECHANICAL CHARACTERISTICS**

Center contact retention	
Axial force – Mating end	6 N mini
Axial force – Opposite end	6 N mini
Torque	NA N.cm mini
Recommended torque	
Mating	NA N.cm
Panel nut	NA N.cm
Mating life	500 Cycles mini
Weight	7,5400 g

Issue : 0815 B

In the effort to improve our products, we reserve the right to make changes judged to be necessary.



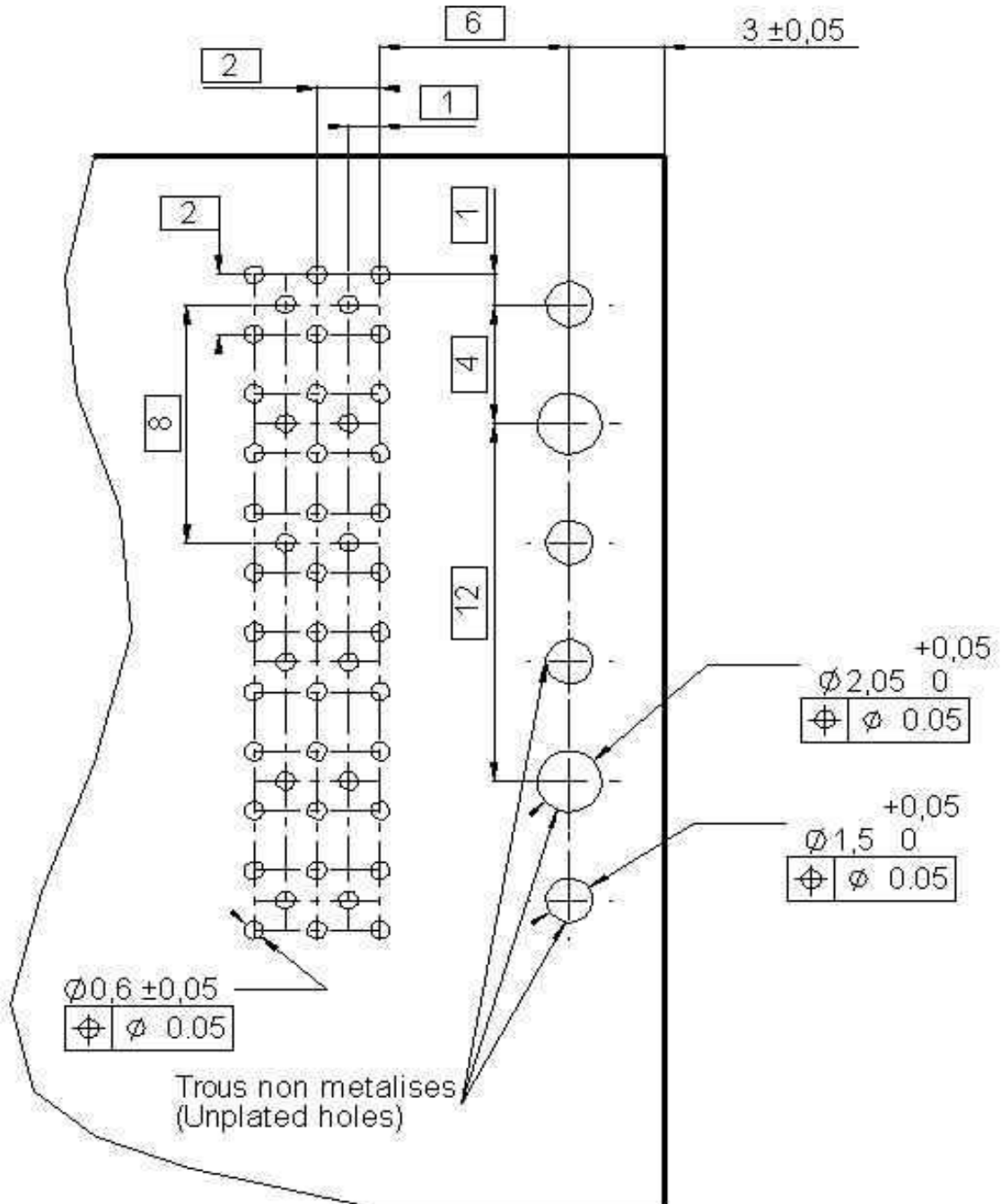
**MALE SHIELDED COAXIPACK 6 COAX**

**R694.281.257**

**SOLDER TYPE 3.5**

Series : MCC2

**PERCAGE PANNEAU RECOMMANDE- FACE COMPOSANTS  
(RECOMMENDED P-C BOARD LAYOUT - COMPONENT SIDE)**



Issue : 0815 B

In the effort to improve our products, we reserve the right to make changes judged to be necessary.

